

Surge Protector Powercore

Date: _____
Type: _____
Firm Name: _____
Project: _____

PG21 (metric size conduit), CE

POWER/DATA SUPPLY

Delivers 4-line surge protection for Color Kinetics Powercore luminaires.

Surge Protector Powercore provides protection from electrical surge transients coupled on L, N, G, CKDMX data, 4-wire cables of Color Kinetics Powercore luminaires. With LED indicators inside-the-box, Surge Protector Powercore offers visual confirmation of surge protection for both power and data lines. Surge Protector Powercore is intended for use as part of a properly grounded lightning protection system.

The PG21 metric entries in this time-tested IP66 rated enclosure allow easy conduit connections, and the clearly labelled terminal blocks and tethered cover make installations quick and simple.



- Surge Protector Powercore provides protection from electrical surge transients coupled on L, N, G, data, 4-wire cables of Color Kinetics Powercore luminaires.
- Provides protection from electrical surge transients coupled on the CKDMX data line.
- Surge Protection Powercore is certified in accordance with IEC 61643-11, tested at I_{IN} 10kA achieving output of: 1.4 kV Line-Neutral, and 2.5 kV for Line-Ground, Neutral-Ground. Provides an additional layer of surge protection up to 12kV / 10kA.
- Intended for use as part of a properly grounded lightning protection system.
- On-board indicator LEDs provide visual confirmation of surge protection for both power and data.
- Also protects non-Powercore luminaires — Surge Protector Powercore also supports luminaires that don't have a data line (L/N/G) including Color Kinetics eW, eColor, Vaya luminaires, and others. Indicator LEDs react the same with L/N/G only installations.
- Outdoor-rated enclosure for damp and wet environments — Surge Protector Powercore offers superior leakage protection in a cast aluminium IP66-rated enclosure.
- Conduit entries — Surge Protector Powercore conduit entries accommodate PG21 metric size.
- Easy installation — Accessible, clearly labeled terminal block connectors for 100 to 240 VAC power (L, N, G,) and data input, and protected L, N, data, output to luminaires in a single cable making installation easy. Tethered cover with captive screws ensures convenient removal and replacement.

For more information, please refer to www.colorkinetics.com/global/products/pds/spp

Specifications

Due to continuous improvements and innovations, specifications may change without notice.

Electrical

Input Voltage	100 to 240 VAC, 50/60 Hz
Power Consumption	<0.1 W
Protection Mode	Diff (L-N) / Com (L-PE N-PE)
Max. Continuous Operating Voltage (Uc)	260 VAC, 60 Hz @ 230 V
Nominal Discharge Current (I _N)	10 kA
I _{SCCR}	25 kA
Load Current (I _l)	16 A

CE Type 2 - 1 Port

OV (50HZ)	230 VAC
Uc	260 V~
I _N	10 kA
Up L-N	1.4 kV*
Up L-PE	2.5 kV*
Up N-PE	2.5 kV*
Data Protection	@100 A Impulse
Up D-N	700 V**

*Up L-N, L-PE, N-PE - IEC 61643-11, VALUES MEASURED AT I_N 10KA
 **Up D-N - IEC 61643-21, Category B2 4kV (10/700 µs)/ 0.1 kA (5/320 µs)

Supported Power Distribution Systems

TN

TN Systems, 230 V Nominal, 260 V Maximum
 UT = 255 V, TN-S System (Single Phase wth PE)

Connections

Threaded Openings	PG21
Power/Data Input†	4-wire PC terminal block connector
Power/Data Output†	4-wire PC terminal block connector

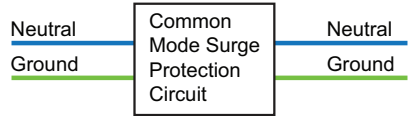
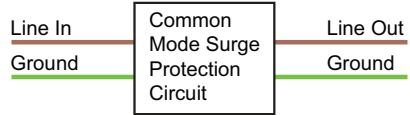
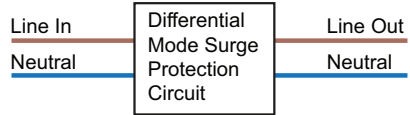
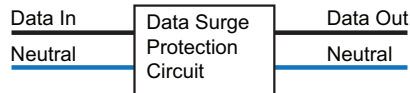
† PC terminal block connectors accept recommended wire sizes from 8 to 14 AWG (8.37 – 2.08 mm²) Stranded / Solid

Physical

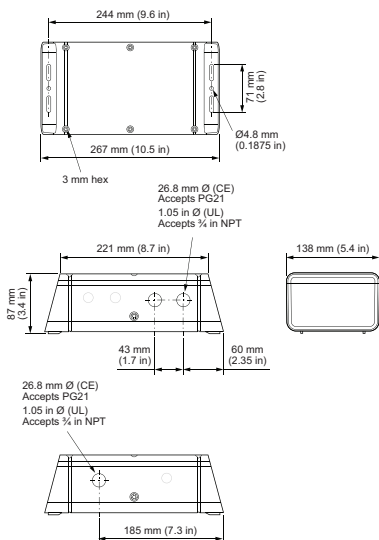
Dimensions	87 x 267 x 138 mm (3.4 x 10.5 x 5.4 in)
(Height x Width x Depth)	
Weight	2.4 kg (5.4 lb)
Housing	Cast aluminium enclosure with slots for surface mounting. Powder-coated gray matte.
Operating Temperature	-40 to 60 °C (-40 to 140 °F)
Storage Temperature	-40 to 80 °C (-40 to 176 °F)
End of Life Indicator	2 LEDs
	When power is on and both LED's are on = Protected state.

Certification and Safety

Certification	CE
Classification	Type 2, 1 Port
Environment	IP66



Dimensions



Part Numbers

Use Item Number when ordering in North America.

Power/Data Supply

	Item Number	Item 12NC
Surge Protector Powercore, PG21 (metric size conduit), CE	124-000001-02	912400137985



© 2024 Signify Holding. All rights reserved. Specifications are subject to change without notice. No representation or warranty as to the accuracy or completeness of the information included herein is given and any liability for any action in reliance thereon is disclaimed.

Color Kinetics
www.colorkinetics.com