

PDS-80 CK2 24V

Date: _____
Type: _____
Firm Name: _____
Project: _____

**Three-Wire Terminal, 4A 24V,
IP66, UL, for Flex Compact Pro**

PDS-80 CK2 24V Power/data supply

The PDS-80 CK2 24V is the power/data supply engineered specifically for Flex Compact Pro luminaires delivering integrated power and data in a robust, IP66-rated enclosure. With up to 80 W total power output and default 3-channel control via DMX or Ethernet, it is designed to make installation fast and commissioning straightforward. A tethered cover, clearly labeled terminals, and a built-in test button simplify installation and speed up commissioning.



- Purpose-built for Flex Compact Pro—The PDS-80 CK2 24V integrates a power supply and CM-160 CK2 controller in a single rugged housing delivering up to 80 W of total power output and default 3-channel control to Flex Compact Pro luminaires. Also supports legacy CKDMX luminaires such as C-Splash 2, protecting your existing investment.
- Fast, straightforward installation—An IP66-rated enclosure with tethered cover and captive screws keeps everything secure and accessible. Clearly labeled terminal block connectors for DMX, Ethernet, line voltage, and luminaires take the guesswork out of wiring. Cables route through the narrow end of the housing for a clean, streamlined footprint.
- Seamless connectivity—Inputs and outputs for both DMX and Ethernet (KiNET and sACN) allow you to daisy-chain multiple units in series. Dual 100 MB IDC connectors and a high-speed 1 GB RJ45 connector ensure fast, reliable Ethernet connections across a wide range of networking environments.
- Know it's working before you leave the site—A built-in test button instantly confirms luminaire connection and triggers a color wash light show before the control system is connected. On-board indicators provide visual feedback for normal operation, DMX and Ethernet connection detection, and data transmission. Press again to resume normal operation.
- Rugged housing—Cast aluminium IP66-rated enclosure built for long-term outdoor reliability. Conduit entries accommodate NPT conduit in US trade sizes of 1/2 in (data) and 3/4 in (power), or metric sizes of M20 (data) and M25 (power)
- Surge protection—Built-in 6 kV protection guards against electrical surge transients coupled on power input side of L, N, G, keeping your installation safe and running.
- Complete control—Works seamlessly with the full Color Kinetics controller ecosystem including iPlayer 4, iPlayer 3, Antumbra iColor Keypad, and ColorDial Pro, as well as third-party DMX or Ethernet (KiNET, sACN) controllers. Also compatible with Interact Landmark for remote monitoring and management.

For more information, please refer to
<https://www.colorkinetics.com/global/products/pds/pds80-ck2>

Specifications

Due to continuous improvements and innovations, specifications may change without notice.

Electrical

Input Voltage	120 to 277 VAC, auto-ranging, 50/60 Hz
Fuse Rating	(2) 4A, fast blow fuses
Power Consumption	20 W maximum
Power Output	80 W maximum
Surge Protection	6 kV maximum differential (L to N) 6 kV maximum common (L to Gnd or N to Gnd)

For additional Surge Protection Requirements for LED Lighting Systems, please refer to www.colorkinetics.com/KB/surge-protection.

Connections

Threaded Openings	3/4 in NPT for power 1/2 in NPT for data (US trade)
-------------------	--

Data Input Source
Color Kinetics full range of controllers, third-party DMX controllers, or KiNET/sACN-compatible third-party Ethernet controllers.⁵

Power Input	Power input via 3-pole terminal block that accepts 18 to 8 AWG (1 to 10 mm ²) wires
-------------	---

Power/Data Output	2x outputs Luminaire output via 3-pole terminal block that accepts 18 to 14 AWG (1 to 2.5 mm ²) wires
-------------------	--

DMX Input/Output	DMX input and loop-thru via 4-pole terminal block connectors that accept 24 to 16 AWG (0.2 to 1.5 mm ²) wires
------------------	---

Ethernet Input/Output	1x Gigabit Ethernet via 8P8C (RJ45) connector. 2x 100 Mbit Ethernet via 2-pair single-entry IDC connectors that accept 26 to 22 AWG (0.14 to 0.34 mm ²) wires
-----------------------	--

⁵ KiNET is the Ethernet lighting protocol from Color Kinetics.

Physical

Dimensions	87 x 359.9 x 127.9 mm (3.4 x 14.17 x 5.04 in) (Height x Width x Depth)
------------	---

Weight	3.0 kg (6.6 lb)
--------	-----------------

Housing	Cast aluminium enclosure with slots for surface mounting. Powder-coated industrial gray matte.
---------	---

Operating Temperature	-20 to 50° C (-4 to 122° F)
-----------------------	-----------------------------

Startup Temperature	-20 to 50° C (-4 to 122° F)
---------------------	-----------------------------

Storage Temperature	-40 to 80° C (-40 to 176° F)
---------------------	------------------------------

Humidity	0 to 95%, non-condensing
----------	--------------------------

Cooling	Convection
---------	------------

Heat Dissipation	20 W
------------------	------

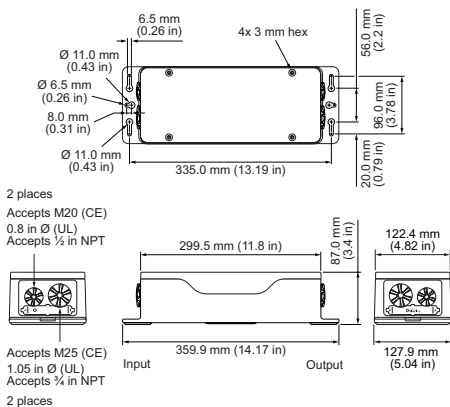
Flex Compact Pro Run Length	141.7 m (465 ft) maximum total run length (including branches), or maximum 100 nodes.
-----------------------------	---

Certification and Safety

Certification	UL/cUL, FCC Class A
---------------	---------------------

Environment	Dry/Damp/Wet Location, IP66
-------------	-----------------------------

Dimensions



Part Numbers

Use Item Number when ordering in North America.

Power/Data Supply

	Item Number	Item 12NC
PDS-80 CK2 24V, Three-Wire Terminal, 4A 24V, IP66, UL, for Flex Compact Pro	109-000202-00	912400138371

Accessories

3 Conductor Flex Compact Pro Leader Cable, 1.5 m (5 ft) w/ flying leads	608-000082-03	912400138112
3 Conductor Flex Compact Pro Leader Cable, 15.2 m (50 ft) w/ flying leads	608-000082-04	912400138113



© 2026 Signify Holding. All rights reserved. Specifications are subject to change without notice. No representation or warranty as to the accuracy or completeness of the information included herein is given and any liability for any action in reliance thereon is disclaimed.

Color Kinetics
www.colorkinetics.com