

PDS-80 CA 24V

Date: _____
Type: _____
Firm Name: _____
Project: _____

**Three-Wire Terminal, 24V, IP66,
UL, for Vaya Tube G2, RGBW**

POWER/DATA SUPPLY

Integrated data and power for Vaya Tube luminaires from Color Kinetics.

PDS-80 CA 24V features a power supply and CM-150 CA gen2 controller all within its rugged IP66 easy-access housing. Simple wiring, a tethered cover, narrow installation footprint, and a test button which confirms your devices are working as intended saves time and simplifies installation.

PDS-80 CA 24V supports up to 80 W total power output and 4 channel control for Vaya Tube G2, RGBW.



- Supported luminaires—PDS-80 CA 24V supports 4 channel control of Vaya Tube, RGBW luminaires via standard 3-wire connection (UL only).
- Easy Installation—Accessible, clearly labeled terminal block connectors for DMX and Ethernet, line voltage, and luminaires make installation easy. Tethered cover with captive screws ensures convenient removal and replacement. Cables route through the narrow end of the housing providing a streamlined footprint.
- DMX and Ethernet (KiNET) input and output—Provides inputs and outputs for both DMX and Ethernet (KiNET) allowing you to daisy-chain multiple PDS-80 CA 24V in series.
- Surge protection—Built-in 6 kV protection from electrical surge transients coupled on power input side of L, N, G.
- Integrated test button and on-board diagnostics—Test luminaire connection confirming everything is working as expected before the control system is connected. On-board indicators provide visual feedback for normal operation, DMX and Ethernet connection detection, and Ethernet data transmission. Press the test button to show a color wash light show, press again to resume normal operation.
- Rugged housing—The PDS-80 CA 24V cast aluminium IP66-rated enclosure provides rock-solid reliability. Its conduit entries accommodate NPT conduit in US trade sizes of 1/2 in (data) and 3/4 in (power), or metric sizes of M20 (data) and M25 (power).

For more information, please refer to <https://www.colorkinetics.com/global/products/pds/pds80-ca>

Specifications

Due to continuous improvements and innovations, specifications may change without notice.

Electrical

| | |
|------------------------|--|
| Input Voltage | 120 to 277 VAC, auto-ranging, 50/60 Hz* |
| Fuse Rating | (2) 8A, fast blow fuses |
| Output Voltage | 24 VDC |
| Power Output (maximum) | 80 W |
| Power Consumption | 20 W maximum |
| Surge Protection | 6 kV maximum differential (L to N) 6 kV maximum common (L to Gnd or N to Gnd) |

For additional Surge Protection Requirements for LED Lighting Systems, please refer to www.colorkinetics.com/KB/surge-protection.

Connections

| | |
|-------------------|--|
| Threaded Openings | 3/4 in NPT for power 1/2 in NPT for data (US trade) |
|-------------------|--|

Data Input Source
Color Kinetics full range of controllers, third-party DMX controllers, or KiNET-compatible§ third-party Ethernet controllers[§]

| | |
|-------------|--|
| Power Input | Power input via 3-pole terminal block that accepts 18 to 8 AWG (1 – 10 mm ²) wires |
|-------------|--|

| | |
|-------------------|--|
| Power/Data Output | Luminaire output via 3-pole terminal block that accepts 20 to 14 AWG (0.5 – 2.5 mm ²) wires. |
|-------------------|--|

| | |
|-------------------|---|
| Data Input/Output | Quad-entry terminal block connectors that accept 24 to 16 AWG (0.2 to 1.5 mm ²) wires |
|-------------------|---|

| | |
|-----------------------|-------------------|
| Compatible Luminaires | Vaya Tube G2 RGBW |
|-----------------------|-------------------|

* Verify that the line voltage is appropriate for the lighting luminaires in your installation. See a specific luminaire's documentation for supported line voltages.

§ KiNET is the Ethernet lighting protocol from Color Kinetics.

Physical

| | |
|------------|---|
| Dimensions | 87 x 359.9 x 127.9 mm (3.4 x 14.17 x 5.04 in) |
|------------|---|

(Height x Width x Depth)

| | |
|--------|-----------------|
| Weight | 3.0 kg (6.6 lb) |
|--------|-----------------|

| | |
|---------|---|
| Housing | Cast aluminium enclosure with slots for surface mounting. Powder-coated industrial gray matte. |
|---------|---|

| | |
|-----------------------|---------------------------|
| Operating Temperature | -20 to 50° C (-4 to 122F) |
|-----------------------|---------------------------|

| | |
|---------------------|-----------------------------|
| Startup Temperature | -20 to 50° C (-4 to 122° F) |
|---------------------|-----------------------------|

| | |
|---------------------|------------------------------|
| Storage Temperature | -40 to 80° C (-40 to 176° F) |
|---------------------|------------------------------|

| | |
|----------|--------------------------|
| Humidity | 0 to 95%, non-condensing |
|----------|--------------------------|

| | |
|---------|------------|
| Cooling | Convection |
|---------|------------|

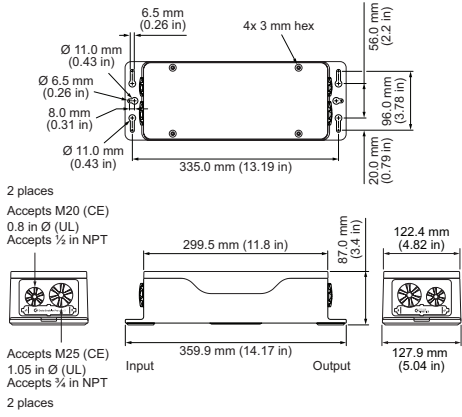
| | |
|------------------|------|
| Heat Dissipation | 20 W |
|------------------|------|

Certification and Safety

| | |
|---------------|---------------------|
| Certification | UL/cUL, FCC Class A |
|---------------|---------------------|

| | |
|-------------|-----------------------------|
| Environment | Dry/Damp/Wet Location, IP66 |
|-------------|-----------------------------|

Dimensions



Part Numbers

Use Item Number when ordering in North America.

Power/Data Supply

| | Item Number | Item 12NC |
|---|---------------|--------------|
| PDS-80 CA 24V, Three-Wire Terminal, 24V, IP66, UL, for Vaya Tube G2, RGBW | 109-000201-00 | 912400138367 |

Accessories

Leader Cable connecting PDS-80 CA 24V to Vaya Tube

| | | |
|--|---------------|--------------|
| Vaya Tube Leader-Jumper Cable, 0.3 m (1 ft), UL, CE, CQC | 308-000014-09 | 912400134183 |
| Vaya Tube Leader-Jumper Cable, 1.5 m (5 ft), UL, CE, CQC | 308-000014-04 | 912400133651 |
| Vaya Tube Leader Cable, 15 m (50 ft), UL, CE, CQC | 308-000014-05 | 912400133652 |

* For custom leader cables up to 30 m (98.4 ft) or jumper cables up to 10 m (32.8 ft) contact your local Color Kinetics representative.



© 2026 Signify Holding. All rights reserved. Specifications are subject to change without notice. No representation or warranty as to the accuracy or completeness of the information included herein is given and any liability for any action in reliance thereon is disclaimed.

Color Kinetics
www.colorkinetics.com