

# Junction Box for BurstScape

Date: \_\_\_\_\_

Type: \_\_\_\_\_

Firm Name: \_\_\_\_\_

Project: \_\_\_\_\_

**IP67, with attached 558.8 mm (22.0 in) leader cable, UL**

This stainless steel IP67 rated Junction Box comes pre-wired with a 558.8 mm (22.0 in) 4 wire leader cable, designed to work with BurstScape. Six M5 hex screws securely attach the lid to the gasket and junction box base. Two additional conduit entries with PG16 connectors accept round cables of 10-14 mm (0.4 to 0.55 in) diameter allowing individual or continuous run installations. A 4-wire PC terminal block push-button connector offers fast and secure connections. This versatile Junction Box can also be used with other Color Kinetics Luminaire families such as ReachElite or Graze.



## Specifications

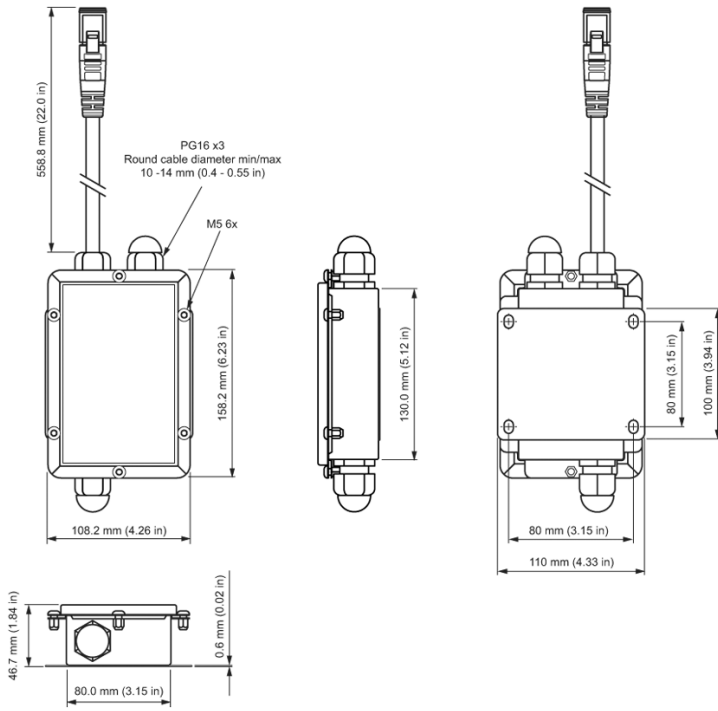
Due to continuous improvements and innovations, specifications may change without notice.

### Physical

Dimensions	158.2 x 108.2 x 46.7 mm (6.23 x 4.26 x 1.84 in)
Weight	3.4 kg (7.5 lb)
Housing	Stainless Steel
Conductor	Solid/stranded copper, 0.5 to 4.0 mm <sup>2</sup> (20 to 12 AWG)
Strip Length	10 to 11 mm (0,39 to 0.43 in)

### Certification and Safety

Environment	Dry/Damp/Wet Location, IP67
Certification	UL



**Accessory**

Junction Box for BurstScope, IP67, with attached 558.8 mm (22.0 in) leader cable, UL

**Item Number**

120-000218-00

**Item 12NC**

912400137595



© 2023 Signify Holding. All rights reserved. Specifications are subject to change without notice. No representation or warranty as to the accuracy or completeness of the information included herein is given and any liability for any action in reliance thereon is disclaimed.

Color Kinetics  
www.colorkinetics.com