

Graze Elite Masking Shield Kit

Date: _____

Type: _____

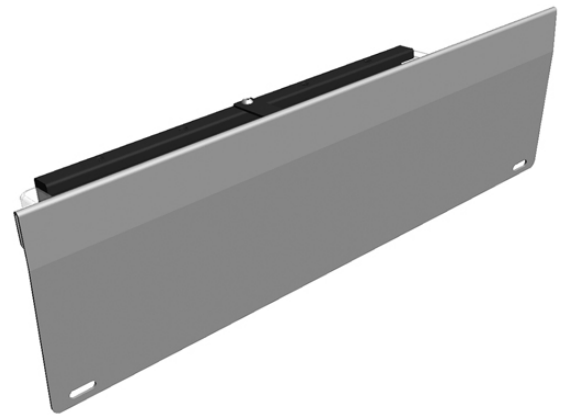
Firm Name: _____

Project: _____

384 mm (1ft), Gray

For use with Graze Elite luminaires

The Graze Elite Masking Shield Kit is designed to keep wiring cables and luminaire out of view. With the Masking Shield extending beyond the luminaire, it offers a clean aesthetic when linear runs of Graze Elite are mounted at standard minimum distance (75 mm, 3.0 in). The kit contains a gray powder-coated aluminium Masking Shield with tether slots, rails, connector brackets and hardware.



Specifications

Due to continuous improvements and innovations, specifications may change without notice.

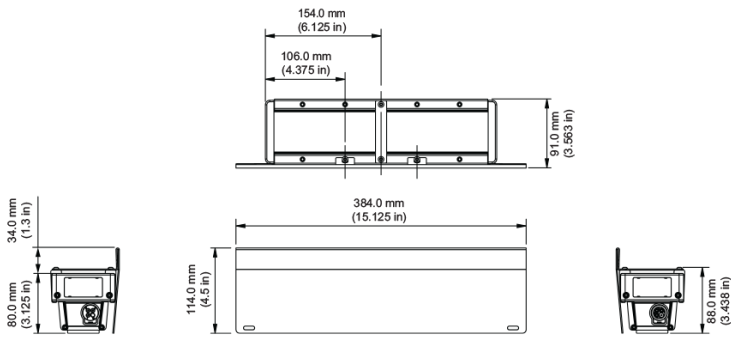
Physical

Dimensions (Height x Width x Depth)	114.0 x 384.0 x 91.0 mm (4.5 x 15.125 x 3.58 in)
Weight	0.35 kg (0.77 lb)
Masking Shield	Aluminium
Rails	Black UV-Protected Polycarbonate with Stainless Steel Inserts
Masking Shield Finish	Gray powder-coated finish
Corrosion Resistance	Complies with ASTM G85 standard

Certification and Safety

Environment	Dry/Damp/Wet Location
-------------	-----------------------

Dimensions



Use Item Number when ordering in North America.

Accessory

Graze Elite Masking Shield Kit, 384 mm (1 ft), Gray
ZCS666 MK L309

Item Number

623-000006-04

Item 12NC

912400138164



© 2025 Signify Holding. All rights reserved. Specifications are subject to change without notice. No representation or warranty as to the accuracy or completeness of the information included herein is given and any liability for any action in reliance thereon is disclaimed.

Color Kinetics
<https://www.colorkinetics.com/global/products/intellihue/graze-elite>