

# Graze Elite Louver Kit

Date: \_\_\_\_\_

Type: \_\_\_\_\_

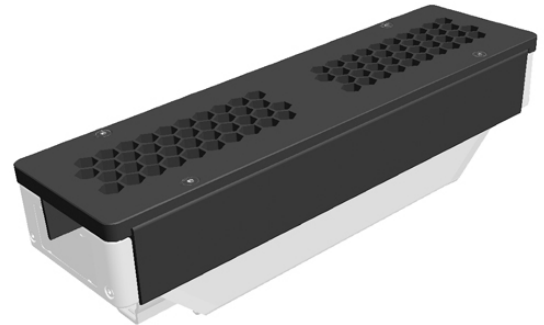
Firm Name: \_\_\_\_\_

Project: \_\_\_\_\_

309 mm (1 ft), Gray

## For use with Graze Elite luminaires

The Graze Elite Louver Kit offers ultimate light control of Graze Elite luminaires. The louver minimizes glare and optimizes light distribution with an exceptionally short 3/8-inch height. Offering a clean design with simple hexagonal shaped honeycomb openings, the louver mimics Graze Elite's LED layout. The kit contains black ASA Thermoplastic louvers, rails, and hardware.



## Specifications

Due to continuous improvements and innovations, specifications may change without notice.

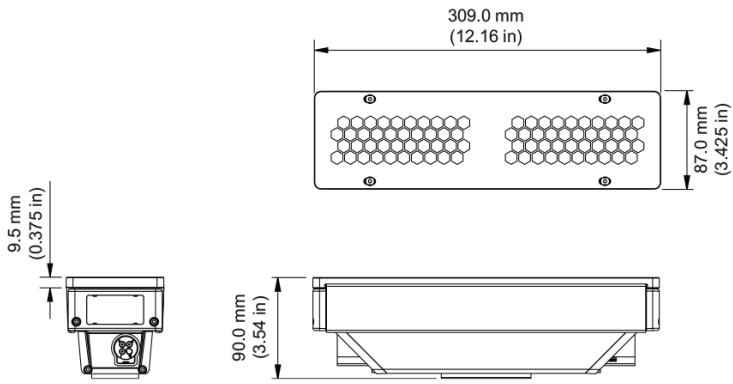
### Physical

Dimensions (Height x Width x Depth)	9.5 x 309.0 x 87.0 mm (0.375 x 12.16 x 3.425 in)
Weight	0.24 kg (0.53 lb)
Louver	ASA Thermoplastic
Rails	Black UV-Protected Polycarbonate with Stainless Steel Inserts
Corrosion Resistance	Complies with ASTM G85 standard

### Certification and Safety

Environment	Dry/Damp/Wet Location
-------------	-----------------------

# Dimensions



Use Item Number when ordering in North America.

## Accessory

Graze Elite Louver Kit, 309 mm (1 ft), Gray  
ZCS666 L L309

## Item Number

623-000006-06

## Item 12NC

912400138166



© 2025 Signify Holding. All rights reserved. Specifications are subject to change without notice. No representation or warranty as to the accuracy or completeness of the information included herein is given and any liability for any action in reliance thereon is disclaimed.

Color Kinetics  
<https://www.colorkinetics.com/global/products/intellihue/graze-elite>