

# Mounting Plate for BurstScape

Date: \_\_\_\_\_

Type: \_\_\_\_\_

Firm Name: \_\_\_\_\_

Project: \_\_\_\_\_

used with all BurstScape luminaires

This steel Mounting Plate with studs and required hardware attach to the BurstScape Pour Sleeve ensuring a solid mounting base. The Mounting Plate includes three 29.0 or 44.0 mm (1.14 or 1.73 in) knockout holes for conduit connections and corner cutouts for rebar attachment. To meet load requirement of 40kN, each BurstScape Pour Sleeve must be installed onto a Mounting Plate in concrete. See Installation Instructions for more information.

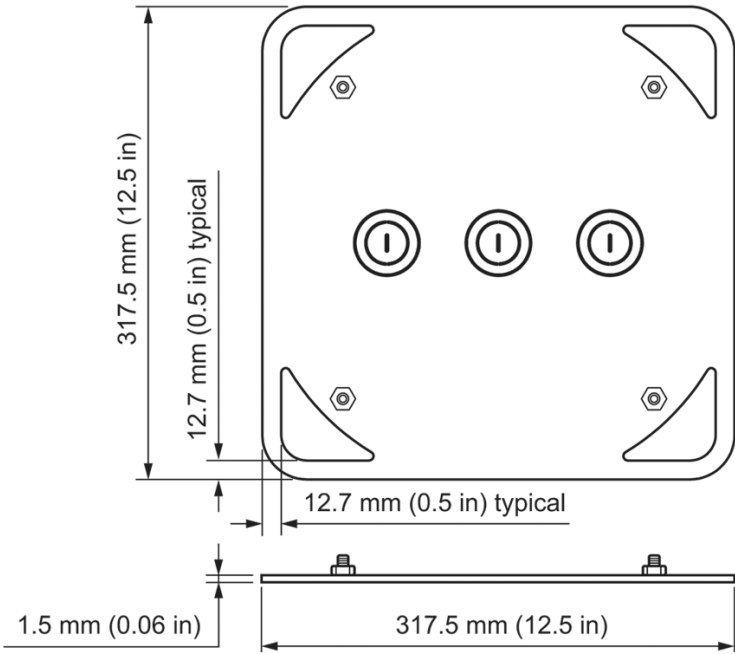


## Specifications

Due to continuous improvements and innovations, specifications may change without notice.

### Physical

Dimensions	317.5 x 317.5 x 1.5 mm (12.5 x 12.5 x 0.06 in)
Weight	1.1 kg (2.4 lb)
Material	Stainless Steel



**Accessory**

Mounting Plate for BurstScape, used with all BurstScape luminaires

**Item Number**

120-000217-00

**Item 12NC**

912400137596



© 2023 Signify Holding. All rights reserved. Specifications are subject to change without notice. No representation or warranty as to the accuracy or completeness of the information included herein is given and any liability for any action in reliance thereon is disclaimed.

Color Kinetics  
www.colorkinetics.com