

C-Splash 2

Date: _____

Type: _____

Firm Name: _____

Project: _____

23° Frosted Lens

Submersible spotlight with intelligent RGB light

C-Splash 2 is an ultra-thin, submersible luminaire designed to provide vibrant color and color-changing light in water to a depth of 4.6 m (15 ft). With its watertight cast brass housing and silicon bronze adjusting hardware, C-Splash 2 is perfect for water-based applications such as fountains and theme park installations, as well as for applications situated in harsh environments.



- Rugged and watertight—Cast brass housing and yoke with silicon bronze adjusting hardware is designed for submersion in water to a depth of 4.6 m (15 ft). This IP68-rated luminaire is also able to withstand water treated with bromine or chlorine.
- Two beam angles—The frosted tempered glass lens offers a soft-edge beam of light at 23°, while the clear glass lens offers extended light projection at 6°.
- Unified power and data cable—Each C-Splash 2 luminaire comes with a 18.3 m (60 ft) unified power and data cable to minimize wiring. C-Splash 2 is intended for use with PDS-150e power/data supplies.
- Industry-leading controls—C-Splash 2 works seamlessly with the complete line of Color Kinetics controllers, including iPlayer 3, Light System Manager, and ColorDial Pro, as well as third-party controllers.
- Versatile light positioning—Locking base and pivot allows vertical and horizontal rotation through a full 360°.
- Thermal Protection enabled—C-Splash 2 is thermally protected, a feature that continuously monitors the luminaires temperature, preventing overheating in extreme temperatures, preserving the luminaire and preventing failure.
- High output, underwater—This submersible luminaire offers the full range of RGB colors and an output of over 650 lumens. Long life LEDs significantly reduce or eliminate required maintenance, a major advantage for underwater installations.

For detailed product information, please refer to the C-Splash Product Guide at www.colorkinetics.com/global/products/rgb/csplash2/

Specifications

Due to continuous improvements and innovations, specifications may change without notice.

Output

Beam Angle	23°
Lumens †	654
Lumens per channel *	R 141 / G 430 / B 135
Efficacy	26
LED Channels	Red/Green/Blue

Electrical

Input Voltage	24 VDC via PDS-150e
Power Consumption (Maximum at full output, steady state)	25 W

Control

Interface	PDS-150e 24V (DMX or Ethernet)
Control Channels	3 channels

For additional Control Channel information, please refer to <https://colorkinetics.helpdocs.io/article/fv5rkvclq>.

Control System

Color Kinetics full range of controllers, including Light System Manager, iPlayer 3, Antumbra iColor Keypad, and ColorDial Pro, or third-party controllers

Remote Monitoring & Management Works with Interact Landmark

Lumen Maintenance

Threshold§	Ambient Temperature		Reported ¶¶	Calculated ¶¶
	25 °C	50 °C		
L 90	25 °C		39,715	39,715
	50 °C		39,337	39,337
L 80	25 °C		> 60,000	98,607
	50 °C		> 60,000	98,228
L 70	25 °C		> 60,000	> 100,000
	50 °C		> 60,000	> 100,000
L 50	25 °C		-	> 100,000
	50 °C		-	> 100,000

† Lumen output measurements comply with IES LM-79-08 testing procedures.

§ Lxx = xx% lumen maintenance (when light output drops below xx% of initial output). All values are given at B10, or the median value where 90% of the LED population is better than the reported or calculated lumen maintenance measurement.

¶¶ Lumen maintenance figures are based on lifetime prediction graphs supplied by LED source manufacturers. Whenever possible, figures use measurements that comply with IES LM-80-08 testing procedures. In accordance with TM-21-11, Reported values represent the interpolated value based on six times the LM-80-08 total test duration (in hours). Calculated values represent time durations that exceed six times the total test duration.

Physical

Dimensions (Height x Width x Depth)	262 x 229 x 175 mm (10.3 x 9 x 6.88 in)
Weight	10 kg (22 lb)
Housing Material	Cast brass
Lens	Tempered ground glass
Luminaire Connections	18.3 m (60 ft) unified power/data cable

Temperature Ranges

-40 to 50 °C (-40 to 122 °F) Operating

-20 to 50 °C (-4 to 122 °F) Startup

-40 to 80 °C (-40 to 176 °F) Storage

Humidity	0 to 100%, non-condensing
----------	---------------------------

Cable

0.824 mm² (4x18 AWG) SOOW. Nominal OD: 10 mm +/- 0.15 mm

18.3 m (60 ft) Standard length

45.7 m (150 ft) Max per run, 121.9 m (400 ft) total per PDS

Maximum Luminaires Per Power/Data Supply

PDS-150e 24V - 6 (1 per port)

Certification and Safety

Approbation UL/cUL, FCC Class A, CE, C-Tick, SAA

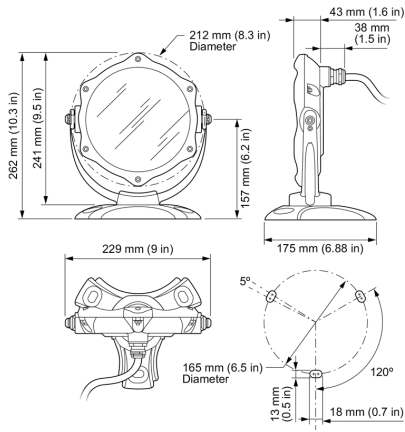
Environment Dry/Damp/Wet, IP68

For additional Energy Efficiency Class Information, please refer to

<https://colorkinetics.helpdocs.io/article/cvuis2p8qq>.



Dimensions



Photometrics 23° Frosted Lens

Photometric data is based on test results from an independent NIST traceable testing lab. IES data is available at www.colorkinetics.com/global/support/ies.

Beam Angle	23°
LED	RGB
Lumens	654.0
Efficacy	26



Illuminance at Distance

Distance	Center Beam fc	Beam Width	
		Vertical	Horizontal
4 ft	141.5 fc	1.6 ft	1.6 ft
8 ft	35.4 fc	3.2 ft	3.2 ft
12 ft	15.7 fc	4.8 ft	4.8 ft
16 ft	8.8 fc	6.4 ft	6.4 ft
20 ft	5.7 fc	8.0 ft	8.0 ft
24 ft	3.9 fc	9.6 ft	9.6 ft

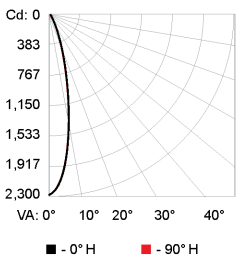
14.5 m (47.6 ft) 1 fc maximum distance
 ■ Vert. Spread: 22.7°
 ■ Horiz. Spread: 22.7°

Zonal Lumen

Zone	Lumens	% Luminaire
0-30	492.5	75.3%
0-40	558.1	85.3%
0-60	627.8	96.0%
60-90	26.3	4.0%
70-100	8.8	1.4%
90-120	-	0.0%
0-90	654.1	100.0%
90-180	-	0.0%
0-180	654.1	100.0%

For lux multiply fc by 10.7

Polar Candela Distribution



Angle	0	25	45	70	90
0°	0	2265	2265	2265	2265
5°	1990	2000	2006	2018	2028
15°	781	790	795	802	812
25°	251	255	256	259	263
35°	102	105	105	106	108
45°	53	54	55	55	56
55°	31	31	32	32	32
65°	18	18	18	18	18
75°	8	8	8	8	8
85°	0	1	1	1	1
90°	0	0	0	0	0

Coefficients of Utilization - Zonal Cavity Method

Effective Floor Cavity Reflectance: 20%

RCR	Effective Floor Cavity Reflectance: 20%																
	70				50				30								
RCC %:	70	50	30	0	70	50	30	0	50	30	20	50	30	20	0		
0	1.19	1.19	1.19	1.19	1.16	1.16	1.16	1.00	1.11	1.11	1.11	1.06	1.06	1.06	1.02	1.02	1.00
1	1.14	1.11	1.08	1.06	1.11	1.09	1.06	0.94	1.05	1.03	1.01	1.01	0.99	0.98	0.97	0.96	0.95
2	1.08	1.03	0.99	0.96	1.06	1.02	0.98	0.88	0.98	0.95	0.93	0.95	0.93	0.91	0.93	0.91	0.89
3	1.03	0.97	0.92	0.88	1.01	0.96	0.91	0.83	0.93	0.89	0.86	0.91	0.87	0.85	0.88	0.86	0.84
4	0.98	0.91	0.86	0.82	0.97	0.90	0.85	0.78	0.88	0.84	0.81	0.86	0.83	0.80	0.84	0.81	0.79
5	0.94	0.86	0.81	0.77	0.93	0.86	0.80	0.74	0.84	0.79	0.76	0.82	0.79	0.75	0.81	0.77	0.75
6	0.90	0.82	0.77	0.73	0.89	0.81	0.76	0.71	0.80	0.75	0.72	0.79	0.75	0.71	0.77	0.74	0.71
7	0.87	0.78	0.73	0.69	0.86	0.78	0.72	0.68	0.76	0.72	0.68	0.75	0.71	0.68	0.74	0.71	0.68
8	0.84	0.75	0.70	0.66	0.82	0.74	0.69	0.65	0.73	0.69	0.65	0.72	0.68	0.65	0.71	0.68	0.66
9	0.80	0.72	0.67	0.63	0.79	0.71	0.66	0.62	0.70	0.66	0.63	0.70	0.65	0.62	0.69	0.65	0.62
10	0.78	0.69	0.64	0.60	0.77	0.69	0.64	0.60	0.68	0.63	0.60	0.67	0.63	0.60	0.66	0.63	0.60

Luminaire and Accessories

Use Item Number when ordering in North America

Luminaire	Item Number	Item 12NC
C-Splash 2, 23° Frosted Lens	116-000039-01	912400138011
Power Supplies		
PDS-150e 24V, DMX/Ethernet	109-000008-01	910503700092



© 2023 Signify Holding. All rights reserved. Specifications are subject to change without notice. No representation or warranty as to the accuracy or completeness of the information included herein is given and any liability for any action in reliance thereon is disclaimed.

Color Kinetics
www.colorkinetics.com/global/products/rgb/csplash2/

05/23/2023