

Blast Powercore gen5, eW

Date: _____

Type: _____

Firm Name: _____

Project: _____

OptiField, 4000 K, Black housing

Exterior customizable OptiField luminaire with single temperature white light

Blast Powercore gen5, eW OptiField high-performance LED luminaires provide uniform lighting across large surfaces. Blast Powercore gen5, eW OptiField increases application efficiency by directing more light on a specific target and offers a range of accessories that allow for customization, along with the efficiency and cost-effectiveness of Powercore technology in a rugged die-cast aluminium housing.



- Uniform illumination—Blast Powercore gen5, eW OptiField delivers extremely uniform illumination, providing smooth walls of light that appear perfect to the eye. And thanks to our breakthrough optics, you can place luminaires exceptionally close to illuminated surfaces.
- Precise control of light—Asymmetric optic design provides precise control of light and delivers more illumination with higher uniformity at a lower power than comparable fluorescent asymmetric reflector solutions.
- Design flexibility—Blast Powercore gen5, eW OptiField is designed to adapt to its surroundings regardless of the wall height, setback, or spacing of an installation.
- Expands customization with a range of new accessory options. Three housing color choices (black, gray, and white)—plus the option to add or combine a rock guard with either a full glare shield or a half glare shield—create new aesthetic possibilities for designers and architects.
- Blast is known for providing years of reliable use under rugged conditions. Blast gen5 raises reliability even further with more protection from corrosion by meeting ASTM B117 standard for > 1,500 hours of corrosion resistance and ANSI C136.31-2010 standard with a 3G vibration rating, and elimination of water pooling.
- Integrates patented Powercore technology that controls power output to luminaires directly from line voltage—rapidly, efficiently, and accurately.
- The Color Kinetics Data Enabler Pro merges line voltage with control data and delivers them to luminaires over a single standard cable, dramatically simplifying installation and lowering total system cost.
- Universal power input range of 100 to 277 (UL/CE/CQC).
- Precision Dimming—Smooth dimming down to 1% with optional Data Enabler Pro, 4 conductor cable and digital control interface.

For detailed product information, please refer to the Blast Product Guide at www.colorkinetics.com/global/products/essentialwhite/blast-powercore-gen5-ew-optifield

Specifications

Due to continuous improvements and innovations, specifications may change without notice.

Output

Color Temperature *	4000 K
Beam	Wall Washing
Lumens †	2,700
Efficacy (lm/W)	59.1
CRI	82.1

Electrical

Input Voltage	100 to 277 VAC, auto-ranging, 50/60 Hz
Power Consumption (Maximum at full output, steady state)	45.7 W
Power Factor	0.9 @ 120 VAC
Surge Limits ¶	2 kV maximum differential (L to N) 4 kV maximum common (L to Gnd or N to Gnd)

For additional Surge Protection Requirements for LED Lighting Systems, please refer to www.colorkinetics.com/KB/surge-protection.

Control

Control Channels	1 channel per luminaire
------------------	-------------------------

For additional Control Channel information, please refer to <https://colorkinetics.helpdocs.io/article/fv5rkvclq>.

Dimmer

ON/OFF; precision dimming by 4 conductor cable & Data Enabler Pro
Remote Monitoring & Management Works with Interact Landmark

Lumen Maintenance

Threshold§	Ambient Temperature		Reported ¶¶	Calculated ¶¶
	25 °C	50 °C		
L ₉₀	25 °C	50 °C	44,202	44,202
	50 °C	50 °C	44,202	44,202
L ₇₀	25 °C	50 °C	>60,000	>100,000
	50 °C	50 °C	>60,000	>100,000
L ₅₀	25 °C	50 °C	>100,000	>100,000
	50 °C	50 °C	>100,000	>100,000

* Correlated color temperature (CCT) complies with ANSI C78.377-2008 for the chromaticity of solid state lighting products.

† Lumen measurement complies with IES LM-79-08 testing procedures.

§ L_{xx} = xx% lumen maintenance (when light output drops below xx% of initial output). All values are given at B10, or the median value where 90% of the LED population is better than the reported or calculated lumen maintenance measurement.

¶ Minimum surge limits per IEC 61547, tested in accordance with IEC 61000-4-5.

¶¶ Lumen maintenance figures are based on lifetime prediction graphs supplied by LED source manufacturers. Whenever possible, figures use measurements that comply with IES LM-80-08 testing procedures. In accordance with TM-21-11, Reported values represent the interpolated value based on six times the LM-80-08 total test duration (in hours). Calculated values represent time durations that exceed six times the total test duration.

Physical

Dimensions (Height x Width x Depth)	183.7 x 337.8 x 171.2 mm (7.2 x 13.2 x 6.74 in)
Weight	3.9 kg (8.3 lb)
Effective Projected Area (EPA) (Luminaire plus Full Glare Shield)	0.068 m ² (0.73 ft ²)
Housing Material	Die-cast aluminium, black powder-coated finish
Lens	Clear tempered glass
Luminaire Connections	1.8 m (6 ft) unified power/data cable

Temperature Ranges

-40 to 50 °C (-40 to 122 °F) Operating
-20 to 50 °C (-4 to 122 °F) Startup
-40 to 80 °C (-40 to 176 °F) Storage

Vibration Resistance

Complies with ANSI C136.31, 3G	
Mechanical Impact	IK10

Corrosion Resistance

Complies with ASTM B117 standard for > 1,500 hours

Humidity	0 to 95%, non-condensing
----------	--------------------------

Thermal Protection enabled

For additional Thermal Protection information, please refer to <https://colorkinetics.helpdocs.io/article/sh301ducix>

Luminaire Run Lengths

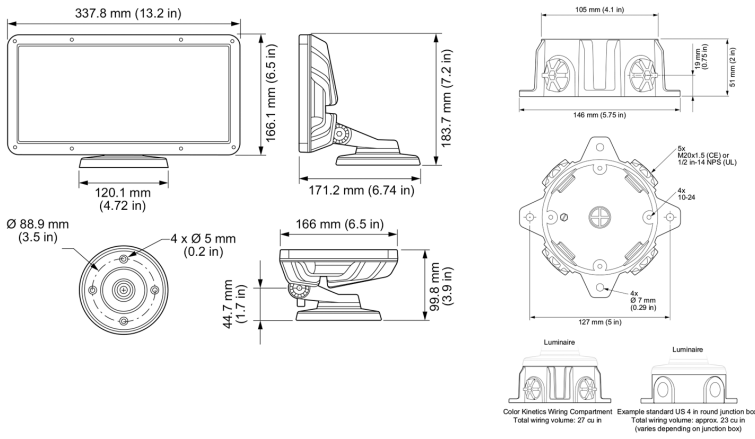
To calculate luminaire run lengths and total power consumption for your specific installation, download the Configuration Calculator from www.colorkinetics.com/support/install_tool/

Certification and Safety

Approbation	UL/cUL, FCC Class B, PSE, CQC, RCM
Environment	Dry/Damp/Wet Location, IP66



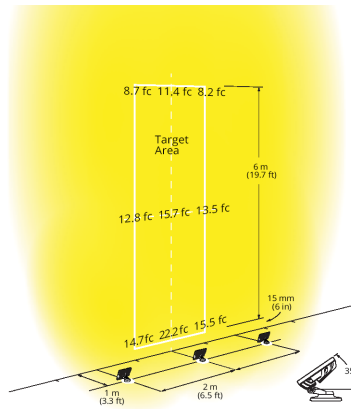
Dimensions



Photometrics OptiField, 4000 K, all channels full on

Photometric data is based on test results from an independent NIST traceable testing lab. IES data is available at www.colorkinetics.com/global/support/ies.

Beam	Wall Washing
LEDs @	4000 K
Lumens	2,700.0
Target area uniformity	4.1:1
Efficacy (lm/W)	59.1

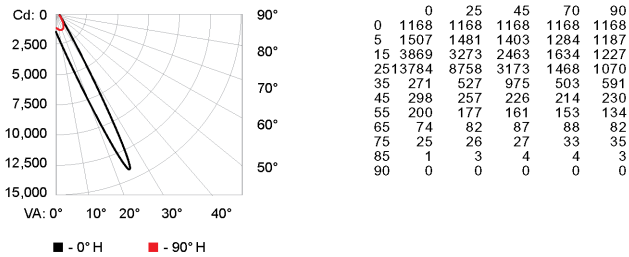


Zonal Lumen

Zone	Lumens	% Luminaire
0-30	1802.9	66%
0-40	2219.9	81%
0-60	2601.3	95%
60-90	139.8	5%
70-100	45.0	2%
90-120	0.0	0%
0-90	2741.1	100%
90-180	0.0	0%
0-180	2741.1	100%

For lux multiply fc by 10.7

Polar Candela Distribution



Blast Powercore gen5, OptiField Notes

Although this luminaire is designed to meet a large number of installation needs, specifically wall heights, we recommend using a measurement area like the example with a measurement grid of 6 m (19.7 ft) or smaller. This approach will help you consistently create simulations that match mock-ups. In order to achieve the highest delivered illuminance and maximum level of uniformity, we recommend aiming the luminaire at a 35° rotation.

Luminaire and Accessories

Use Item Number when ordering in North America

Luminaire	Item Number	Item 12NC
Blast Powercore gen5, eW, OptiField, 4000 K, Black housing	523-000115-04	912400137999
Accessories		
Rock Guard, Black	120-000185-07	912400130343
Half Glare Shield, Black	120-000185-14	912400130350
Full Glare Shield, Black	120-000185-03	912400130339
Wiring Compartment UL/cUL, Black	106-000011-30	910503704147
Wiring Compartment CE, Black	106-000011-40	910503703275
Architectural Mounting Arm, Short, Gray	120-000206-00	912400136642
Architectural Mounting Arm, Medium, Gray	120-000206-01	912400136643
Architectural Mounting Arm, Long, Gray	120-000206-02	912400136644
Power Supplies		
Data Enabler Pro, 3/4 in / 1/2 in NPT (U.S. trade size conduit)	106-000004-00	910503701210
Data Enabler Pro, PG21/PG13 (metric size conduit)	106-000004-01	910503701211

