

VLZ PROFILE

Date: _____
Type: _____
Firm: _____
Name: _____
Project: _____

The Vari-Lite VLZ PROFILE is a dedicated profile luminaire utilizing the latest high output white LED sources to produce a staggering 24,000 lumens projected from a 140 mm front lens. The enhanced fan control system allows users to choose one of four fan levels to match the output they require for a show remotely from a console. The familiar CMY-CTO color system creates stunning, seamless mixed colors. The dual fixed color wheel with linear control gives access to Vari-Lite colors and split color combinations. Color shake and color wheel spin control have also been added to the mix.



- 24,000 lumen output.
- Wide zoom range 8-50° zoom.
- High quality image projection via 140 mm (5.5") front lens.
- Multi-mode fan control - adjust settings to control fan noise. Offers a low dB experience across all frequencies, eliminating buzzing or hums from an otherwise quiet device. Mode options include standard, studio, and whisper mode.
- Adjustable frequency to exceed camera frame rates - Camera -friendly fixtures for IMAG or live televised events.
- 16-bit dimmer control with 4 selectable curves.
- Full color mixing and color effects CYM and CTO 1 color wheel, 6 fixed colors, shake and wheel spin functions.
- Projection and mid-air effects: Gobo wheel 1: 7 interchangeable fully rotating and indexing gobos; Gobo wheel 2: 7 interchangeable fixed gobos.
- Multi beam effects 3 facet prism.
- Beam shaping control, iris and framing shutter system 4 blade with independent control and frame rotation 350° either side of center.

For detailed product information, please refer to www.vari-lite.com/global/products/vlz-profile



VARI*RITE

Specifications

Due to continuous improvements and innovations, specifications may change without notice.

Source

ESE LED System	Monochromatic Light Engine
Source Max Power Consumption	620 W
Source Lumens	40,000
Source CCT	8000 K
LED Refresh Rate	500Hz to 25KHz
Dimming	Electronic 16-bit
Dimmer Curves	Square Law (Default), Linear, S -Curve
Dimmer Control Option	Dimmer Snap On/Off On reduces auto dimmer smoothing
Strobe	Electronic
Strobe Speed	0 - 30Hz
Strobe Modes	Continous, Random, Random Sync

Optical Performance

Zoom Range	8 - 50°
Zoom Control	Motorized 16-Bit
Output Lumens	Standard - 24,000 Studio - 18,000 Whisper - 15,000
Default Output Color Temperature	7000 K
CRI RA	> 70
Focus	Motorized 16-Bit Control

Color System

Subtractive Color Mixing	CMY Glass Flags
Color Mixing Control	CMY 16-bit
Variable CTO	6500 to 2700 K
Color Wheel 1	6 Color + Open
Color Wheel Effects	Split Colors, Color Wheel Spin, and Shake

Imaging

Effects Prism	3 Facet Round
Prism Features	Index/Rotation, MegaStep
Beam Softening 1	Variable control - Light Frost
Beam Softening 2	Heavy Wash Frost
Framing Shutters	4 Blade - Full Wipe +/-90° rotation
Iris	16 leaf iris open to 80% closing

Electrical

Output Power Consumption	920 W
Power Connection	Neutrik TrueOne - Power in only Power cable not included - input connector only
Input Voltage	100-240 VAC, 50 / 60 Hz

Data

Supported Protocols	DMX 512-A (RDM), ArtNet 5 - Pin XLR Input and Thru, RJ45 Input
DMX Modes	
16-Bit Enhanced	61 Channels
16-Bit	56 Channels

Noise Level / Fan Control (Base Level 30 dB)

Standard Mode	52 dB
Studio Mode	41 dB
Studio Mode	38 dB
Whisper Mode	33 dB
Fan Mode	Continuous (On) / Auto Ramping
Fan Level Preset	Standard, Studio, Whisper
Cooling System Type	Forced Air

Movement

Pan Angle	540°
Pan Speed	3.4 s
Tilt Angle	270°
Tilt Speed	2.5 s

Mounting

Hanging Type	VL rails
Hanging Centers	687 mm (28.0 in)
Fixture mounting/Hanging orientation	Hanging - Floor - Side
Secondary Safety Wire Point	1 x Safety point located on underside of upper enclosure Safety Wire not included

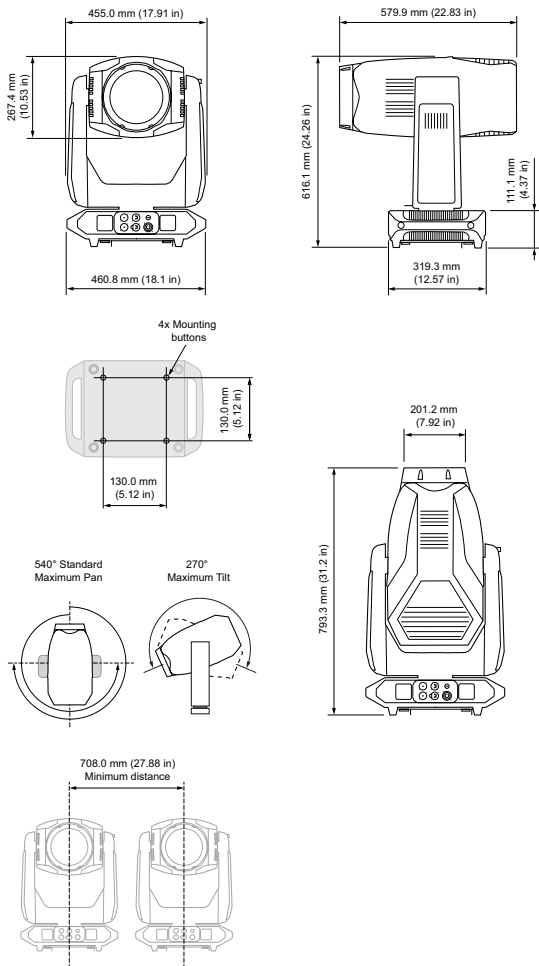
Certification and Safety

Approbations	CE, ETL, UL, FCC CSA, RoHS, ISO 9001
IP Rating	IP20

Photometrics and IES Files

For IES files and photometric reports, please refer to the product page: www.vari-lite.com/global/products/vlz-profile

Dimensions



Physical

Construction	Metal frame, Plastic covers
Standard Finish	Black
Dimensions	319 x 461 x 793 mm (13.0 x 18.0 x 31.0 in)
Fixture Weight	42.0 kg (94.0 lb)
Operating Temperature	-10-45°C (14-113°F)

Gobo and Effect Wheels

Gobo Wheel 1	7 + Open
	Interchangeable
Material	Glass
Diameter / Thickness	30 mm x 1.1 mm
Image Size	17 mm
Gobo Wheel 2	Fixed gobo wheel 7 + open
	7 + Open
	Interchangeable
Material	Glass
Diameter / Thickness	30 mm x 1.1 mm
Image Size	17 mm
Gobo Wheel/Animation Features	MegaStep, Twist, Shake, Wheel Spin

Luminaire and Accessories

Product type	Order Code
VLZ PROFILE	26-105-0002-00
VLZ SPOT, 620W 8000k Monochromatic light engine, c/w 2 x VL Rails and power input connector, Black	
Accessories	
VLZ Gobo carrier	5.01.02.01.0345-0
VLZ SPOT / Profile, Gobo carrier - no magnet ,c/w gobo retaining spring	
VLZ Gobo carrier	5.01.02.01.0346-0
VLZ SPOT / Profile, Gobo carrier - with magnet ,c/w gobo retaining spring	
GT Truss Rail	22.9708.0835
VL Hanging Rail, 1 x GT Truss drop rail, c/w VL1600, VL4000, VL2600, VLZ series and VL10,	

